



Holoform[®]
Reliability through innovation.

5005 LBJ Freeway
Suite 1050
Dallas, Texas 75244

P 833-473-3986
W Holoform.com

Aura[™] System Installation Instructions

Table of Contents:

1. Cut top & bottom tracks to opening width
2. Pre-Drill Extrusions
3. Insert Crown Gaskets
4. Section Details
5. "T" Return Sequence
6. Glass Fixing
7. End Caps
8. Sliding Door Details
9. Base Pivot Installation
10. Carpet Offset Plate
11. Base Pivot Installation
12. Top Pivot Installation
13. Pivot Installation Continued (pivot to door)
14. Pivot Installation (pivot adjustment)
15. Pivot Installation (closing and latch speed adjustment)
16. Pivot Operation
17. Door Stop



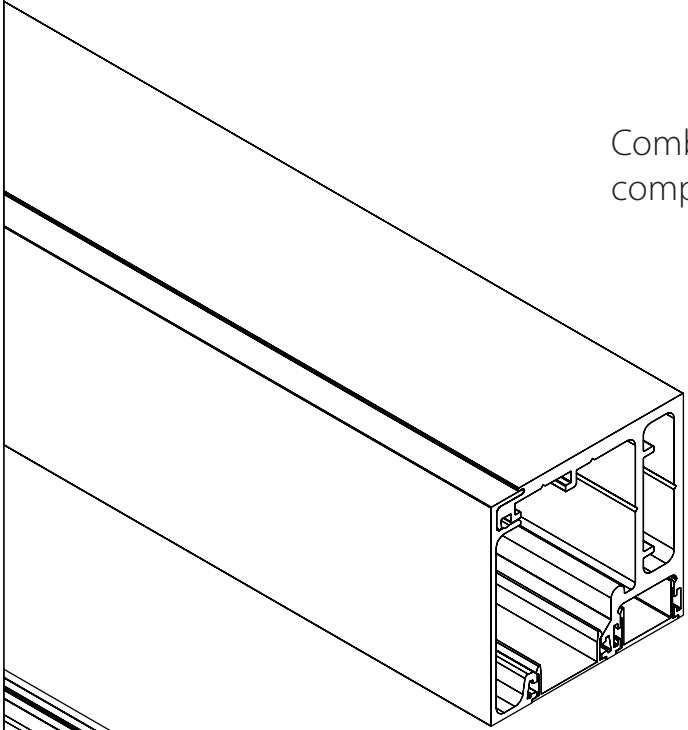
Holoform[®]
Reliability through innovation.

5005 LBJ Freeway
Suite 1050
Dallas, Texas 75244

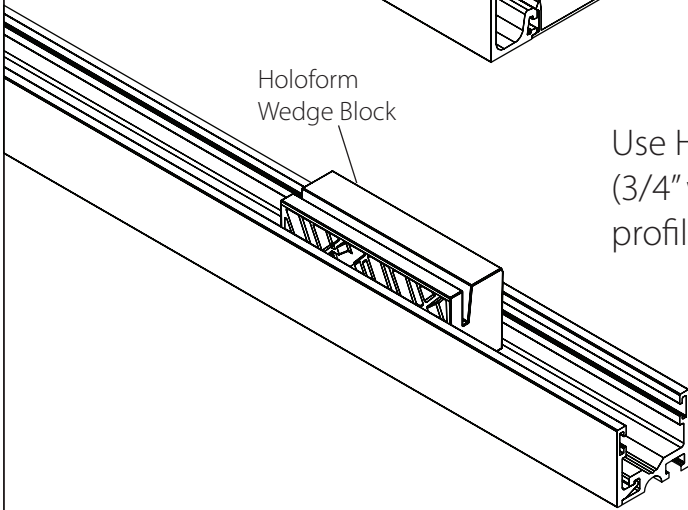
P 833-473-3986
W Holoform.com

Cut top & bottom tracks to opening width

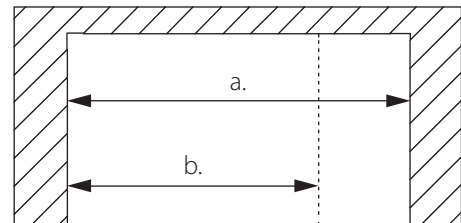
Combine all top rail extrusions into one complete profile before cutting to size.



Holoform
Wedge Block



Use Holoform Wedge blocks or similar sized (3/4" width) block to hold base extrusion profiles together while cutting to length.

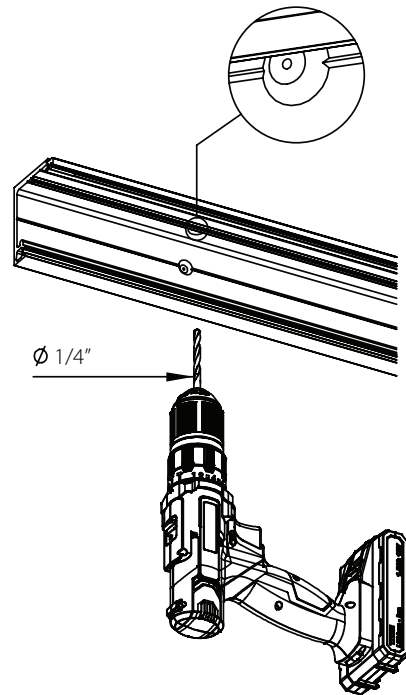
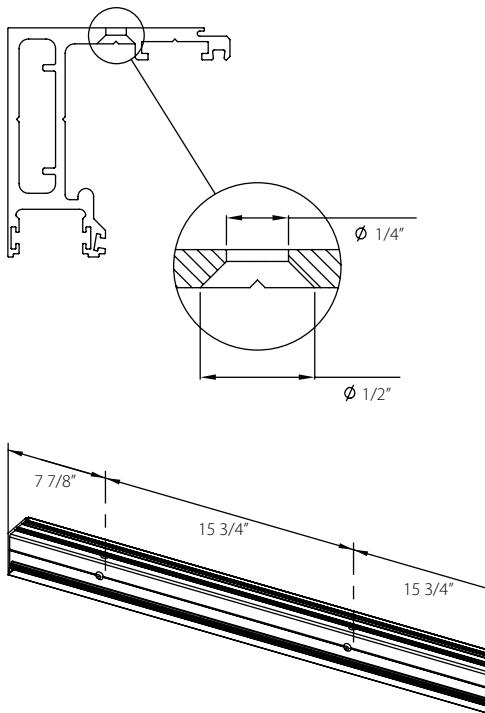


- a. Cut top track to full opening width.
- b. Cut base track to full opening width, with doors subtracted.

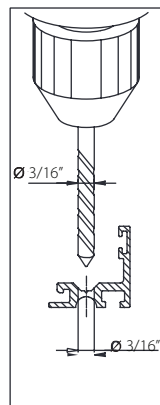
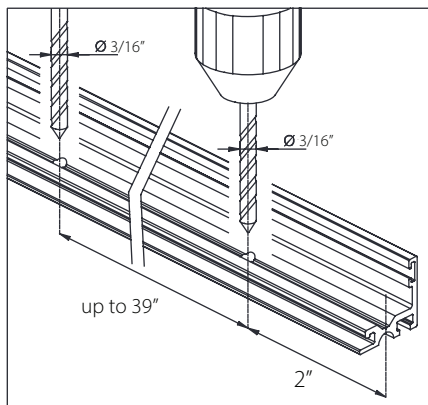


Pre-Drill Extrusions

On top track, use a 1/4" drill bit to drill through pre-started countersinks. If pre-started countersinks do not line up with structure, re-drill and countersink new holes that line up with structure.



On base track drill 3/16" holes up to 39" apart to mount base to floor.



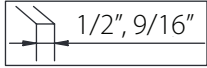


Holoform[®]
Reliability through innovation.

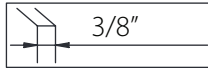
5005 LBJ Freeway
Suite 1050
Dallas, Texas 75244

P 833-473-3986
W Holoform.com

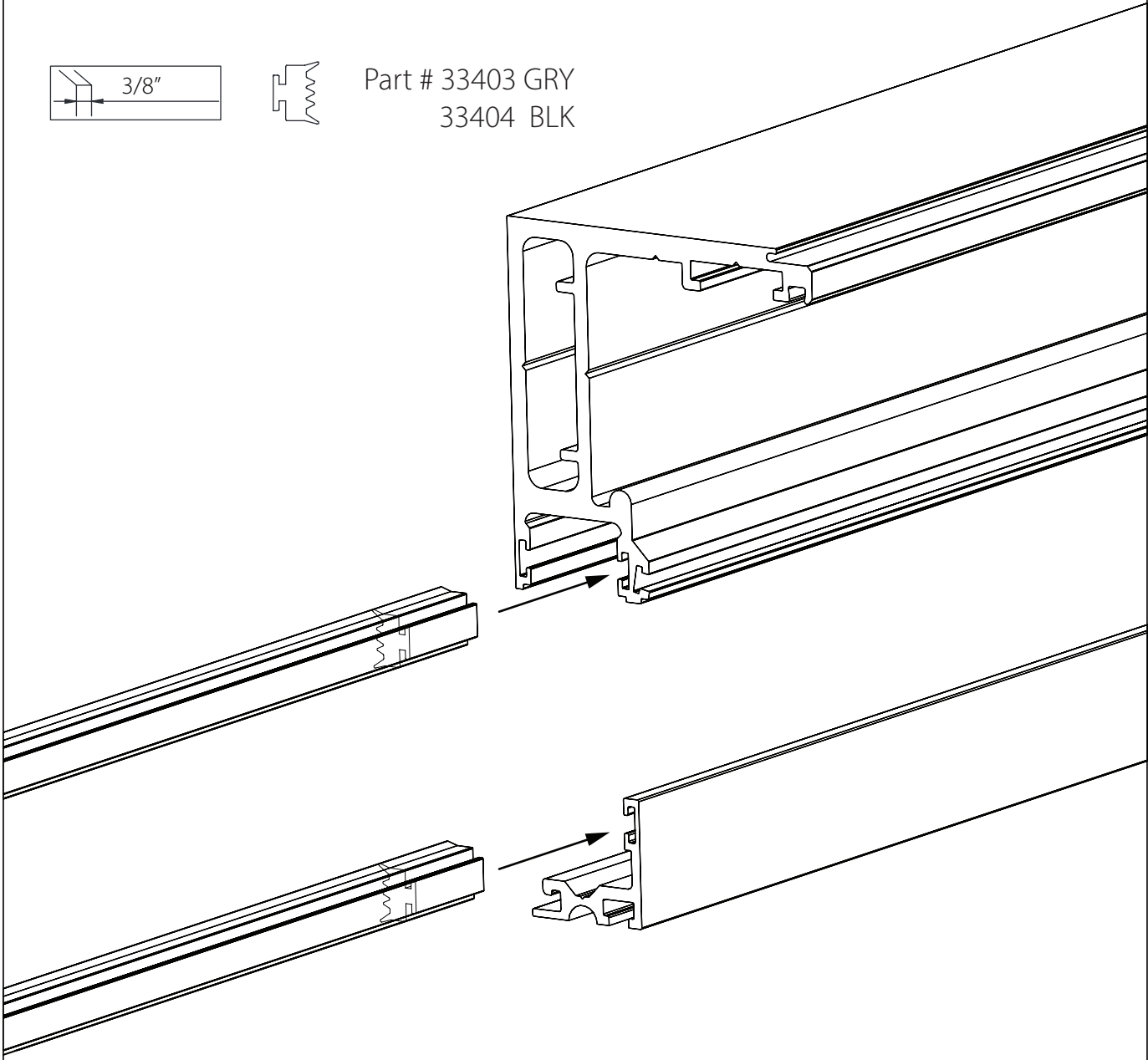
Insert Crown Gaskets



Part # 33405 GRY
33406 BLK

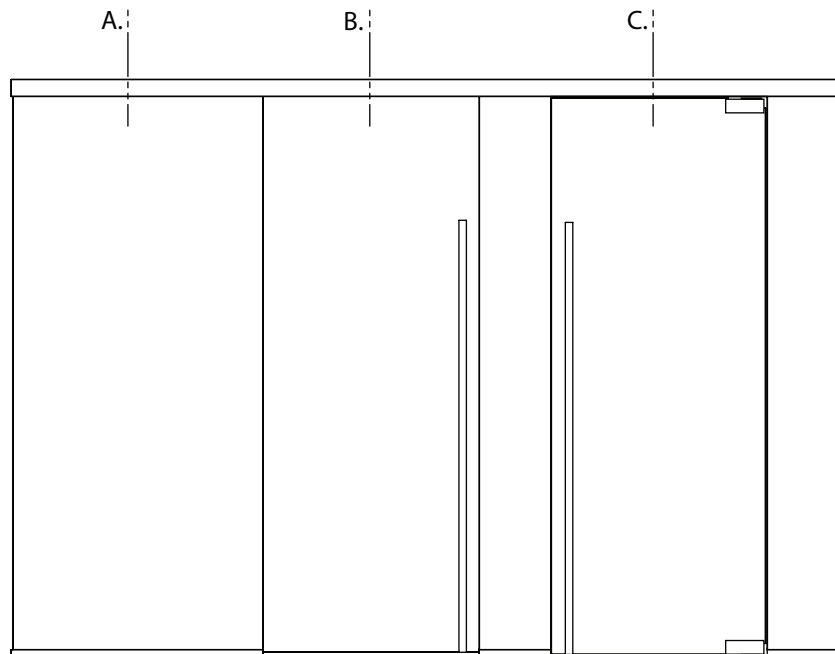


Part # 33403 GRY
33404 BLK

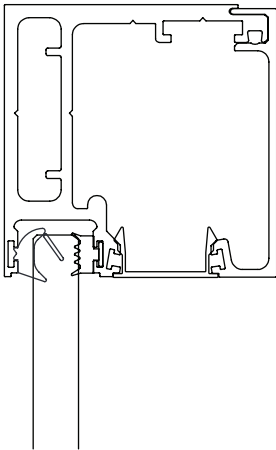




Section Details

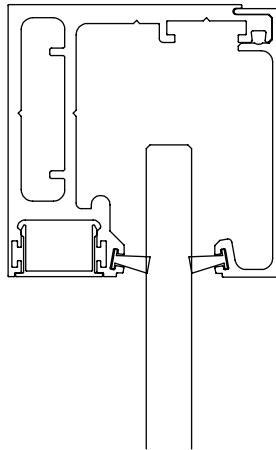


A.



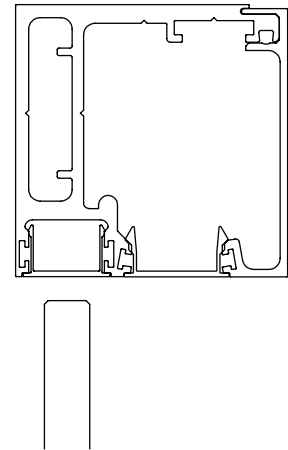
Section A.
Wall with 1/2" glass

B.



Section B.
Sliding Door with
1/2" glass

C.



Section C.
Swing Door with
1/2" glass



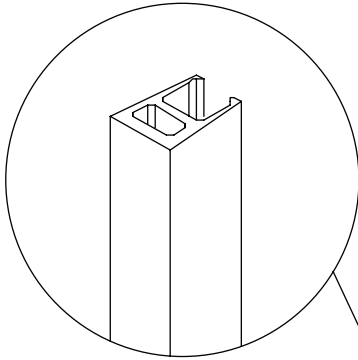
Holoform[®]
Reliability through innovation.

5005 LBJ Freeway
Suite 1050
Dallas, Texas 75244

P 833-473-3986
W Holoform.com

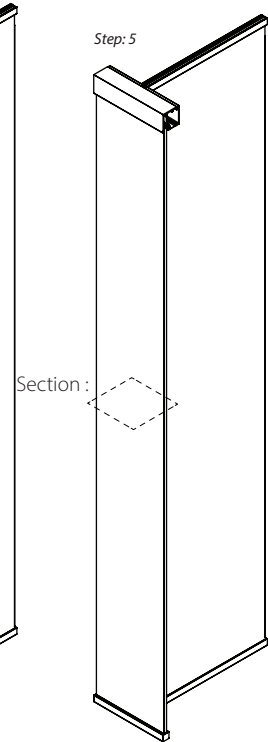
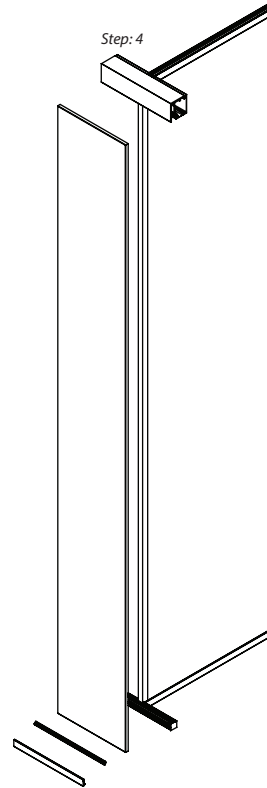
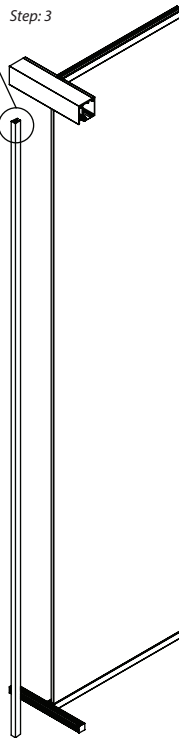
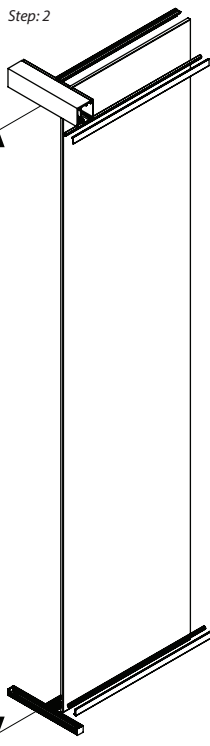
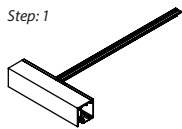
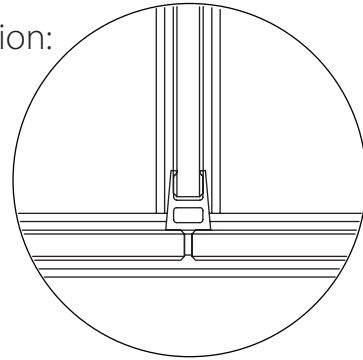
"T" Return Sequence

Insert "T" return glass and gasket before glazing face of system. The gasket bridges the gap between "T" return and face glass.



Part # 33449 CLR
33450 BLK

Section:



Cut gasket to match distance from base of top track to top of base track.

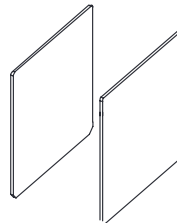
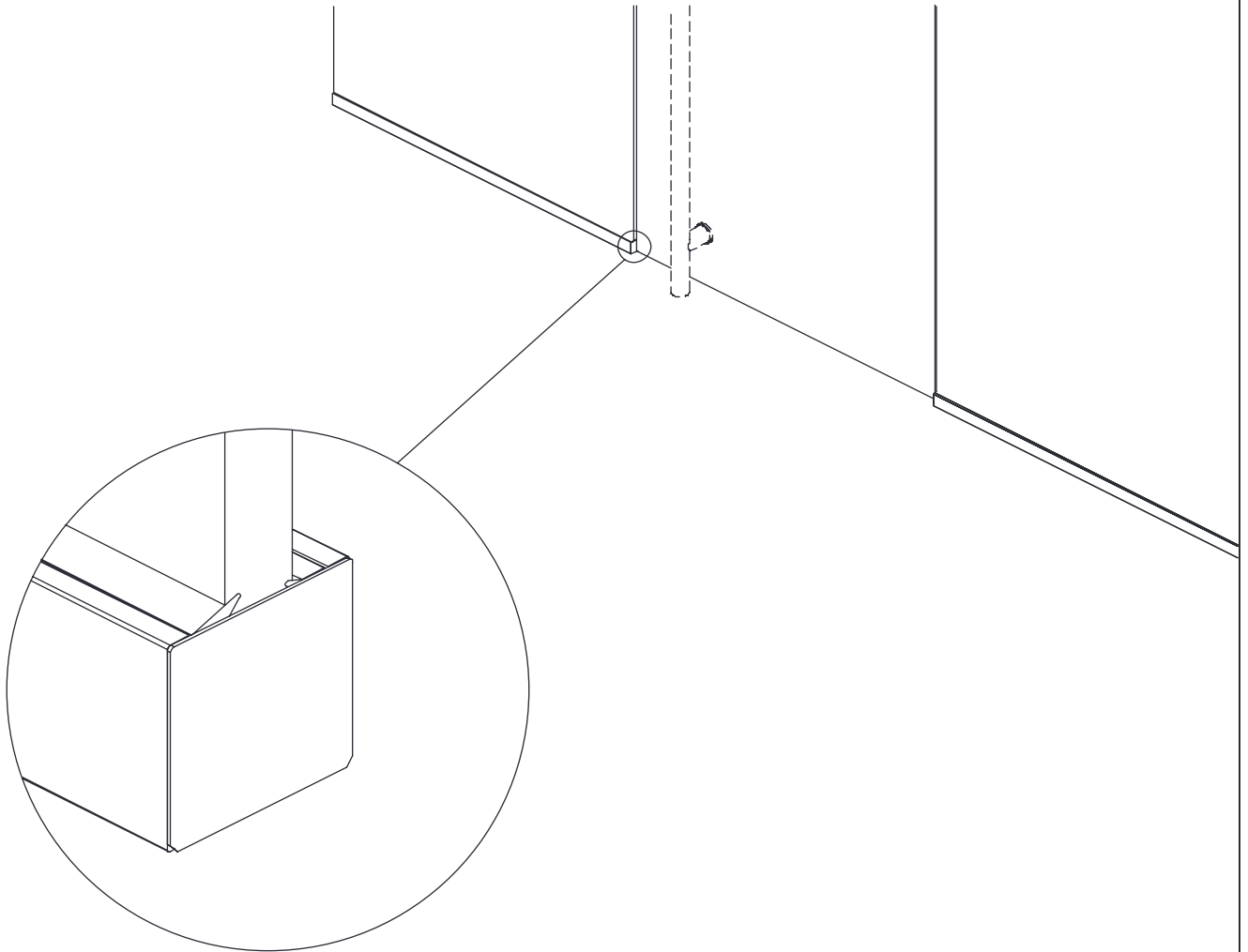


Holoform[®]
Reliability through innovation.

5005 LBJ Freeway
Suite 1050
Dallas, Texas 75244

P 833-473-3986
W Holoform.com

End Cap



Part # 33436
33437



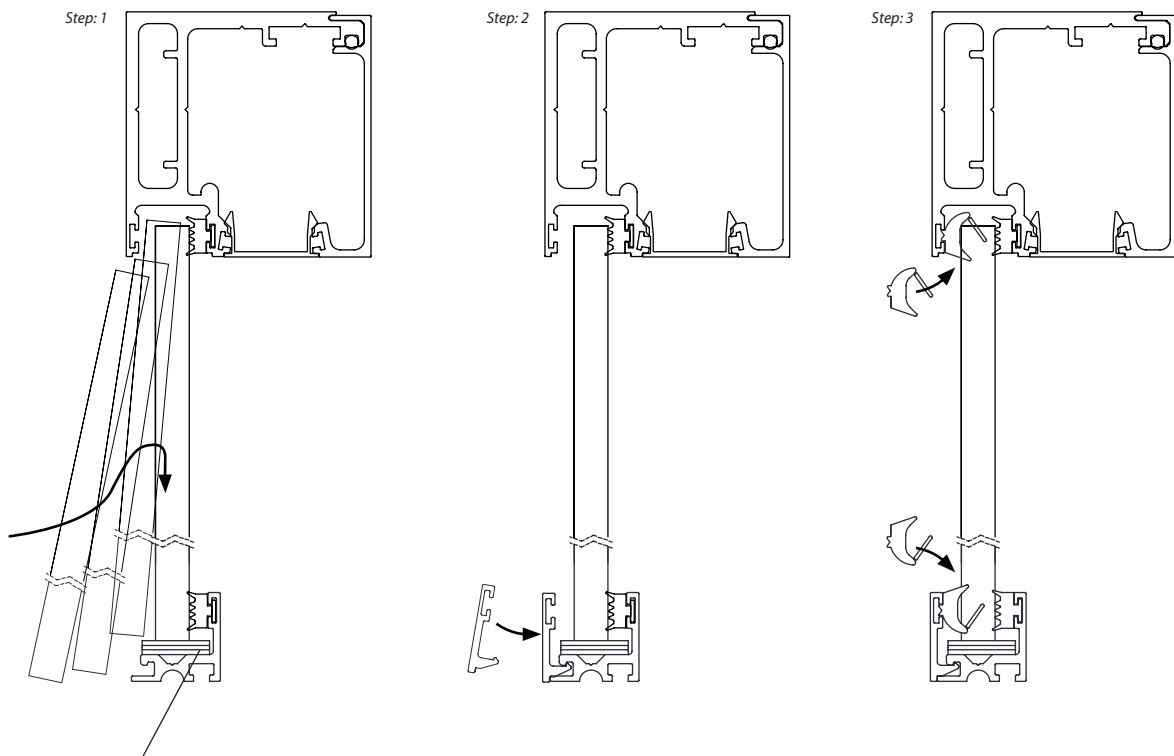
Holoform[®]
Reliability through innovation.

5005 LBJ Freeway
Suite 1050
Dallas, Texas 75244

P 833-473-3986
W Holoform.com

Glass Fixing

Lift glass into top track and set onto bottom track, insert face on base track, and insert wedge gasket to fix glass in its final position.



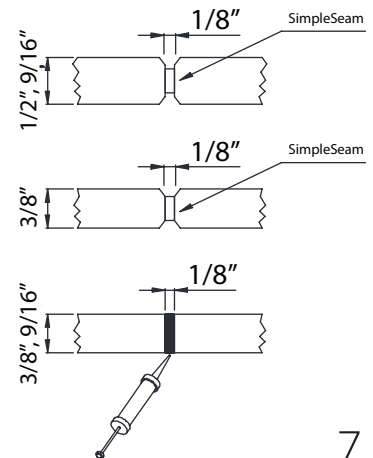
Use minimum #2 provided shims



Leg can be removed

Use SimpleSeam[™] glazing tape to fix glass to glass joints.

* See SimpleSeam[™] installation instructions for details



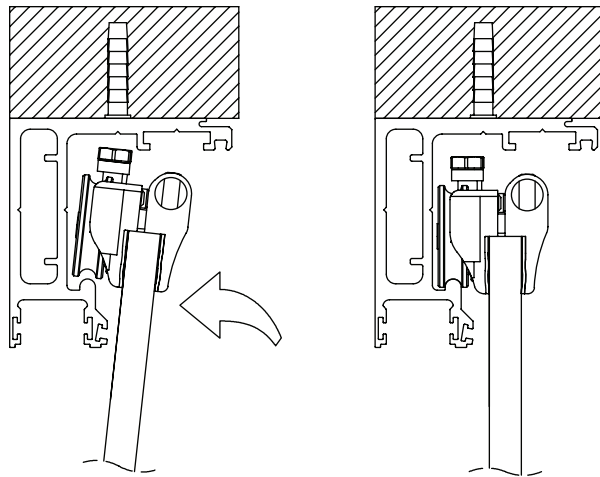
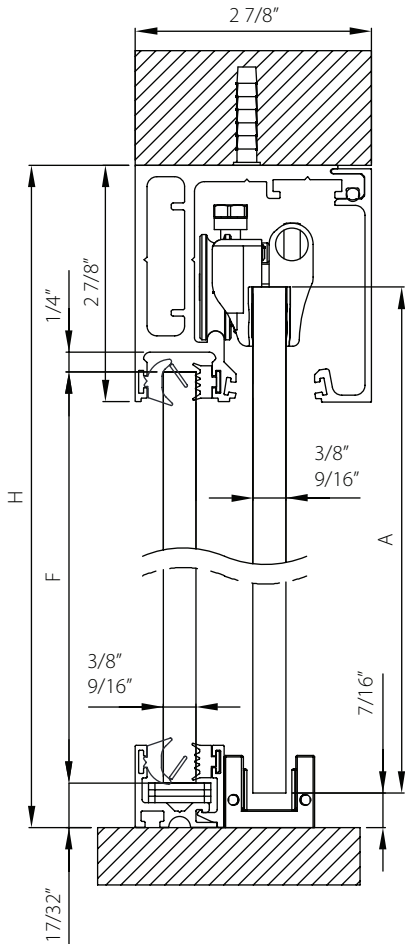


Holoform[®]
Reliability through innovation.

5005 LBJ Freeway
Suite 1050
Dallas, Texas 75244

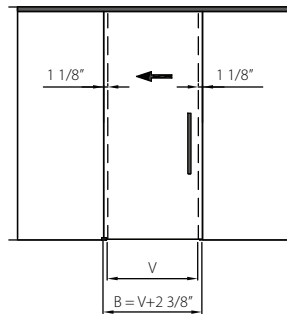
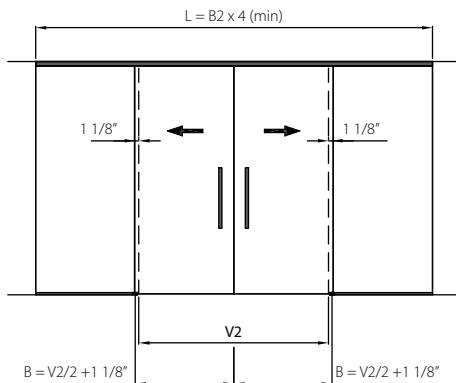
P 833-473-3986
W Holoform.com

Sliding Door Details



- H – Ceiling height
- L – Length of track
- F – Fixed glass (H - 1 1/16")
- V – Door width
- A – Glass height (H - 1 7/8")
- B – Glass width

* See Holoform sliding door installation instructions for soft-close, floor guide, stops, and adjustment details



* Do not create seams in areas of track that slider rollers pass over. Going over seams will damage slider door rollers and impact operation of door.



Holoform[®]
Reliability through innovation.

5005 LBJ Freeway
Suite 1050
Dallas, Texas 75244

P 833-473-3986
W Holoform.com

Base Pivot Installation

TECHNICAL CHARACTERISTICS

3/8"
1/2"
9/16"

1 9/16"
3/4" 3/4"

2"
4"

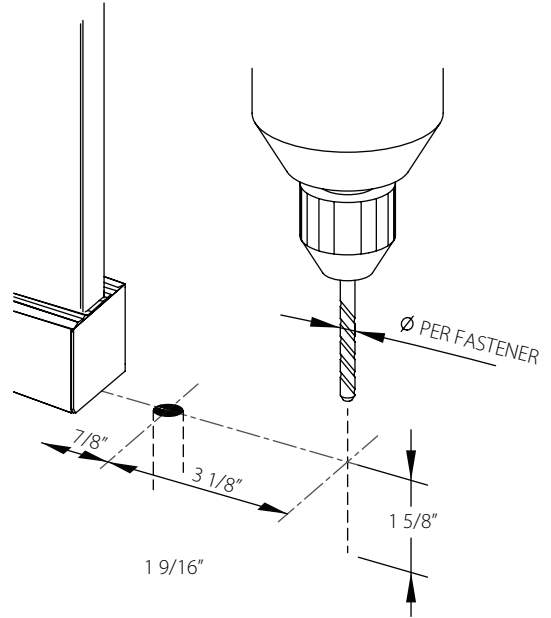
39"
MAX

MAX
220 lb.

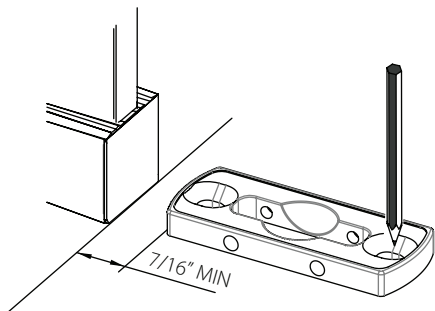
- 50 F
+ 122 F

0° - 80°

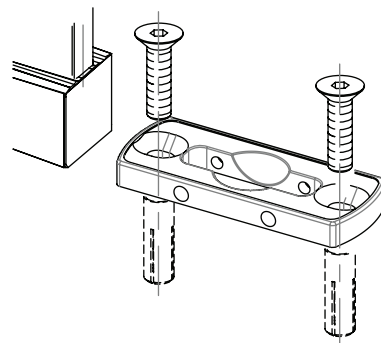
FLOOR BASE PLATE



Place the floor base plate at minimum of 7/16" from end of glass wall end cap, and mark the position of holes.



Drill holes for fastener as suggested by manufacturer (fastener provided by others).



Fasten to floor as suggested by manufacturer (fastener provided by others).



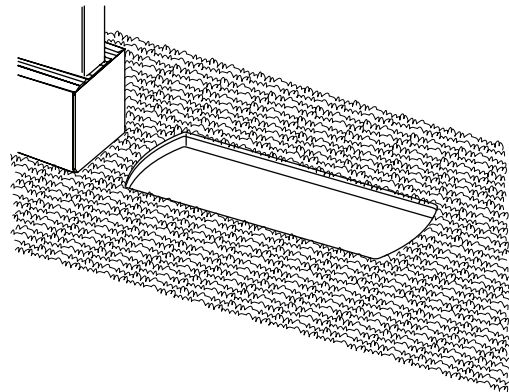
Holoform[®]
Reliability through innovation.

5005 LBJ Freeway
Suite 1050
Dallas, Texas 75244

P 833-473-3986
W Holoform.com

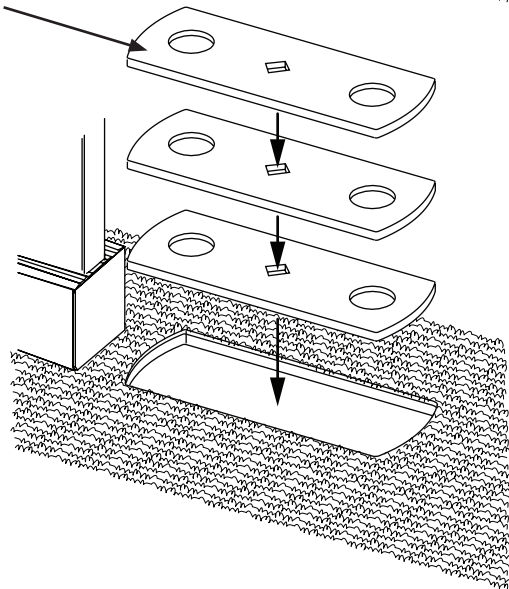
Carpet Offset Plates

Cut hole through carpet to match shape of pivot offset plate.

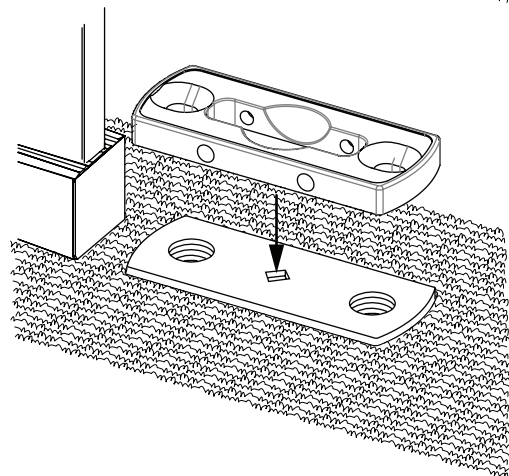


Part# 33455

Insert offset plates to establish a new surface higher than the carpet for the installation of the base plate.



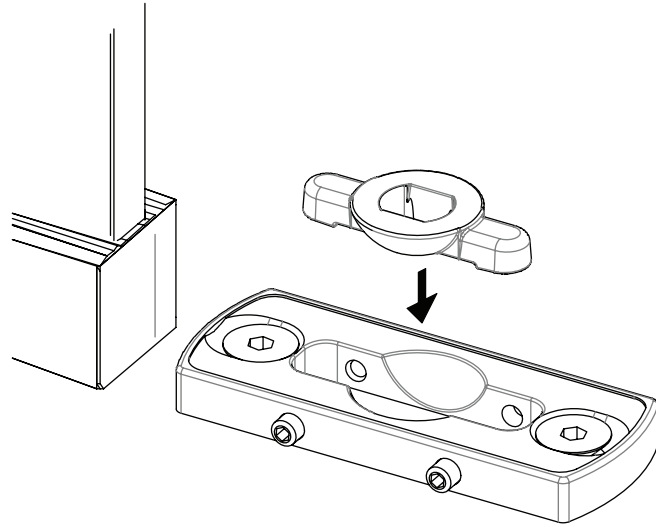
Place base plate on top of offset plates and install fastener (fasteners proved by others)



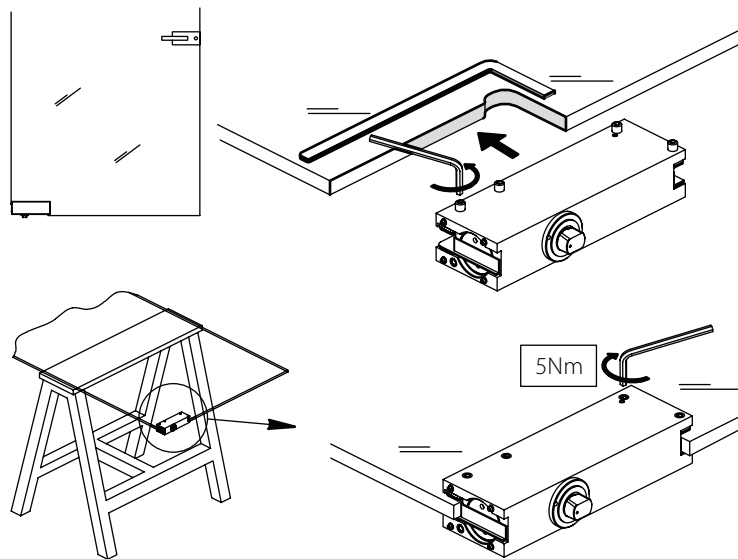


Base Pivot Installation

Insert tilting joint onto base plate.



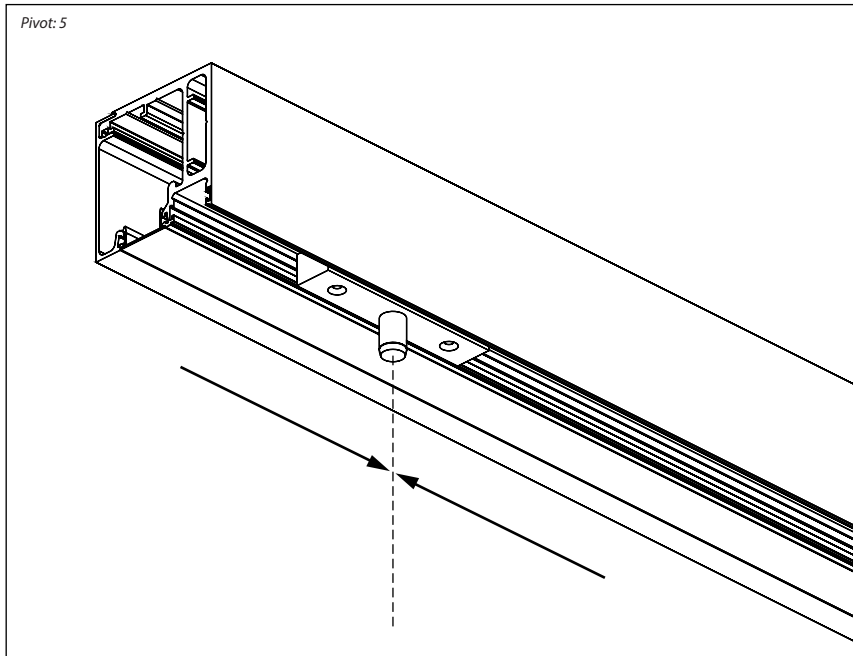
Place hinge in the notch provided in the door glass. Use supplied shims to compensate for glass thickness and tighten #4 screws.



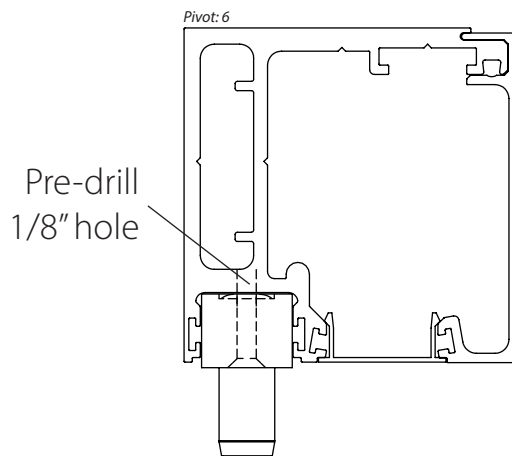


Top Pivot Installation

Use laser and center of bottom pivot to determine the position of the center of the top pivot insert.



Once appropriate position has been determined, pre-drill 1/8" holes before affixing top pivot insert in its final position with provided screws.

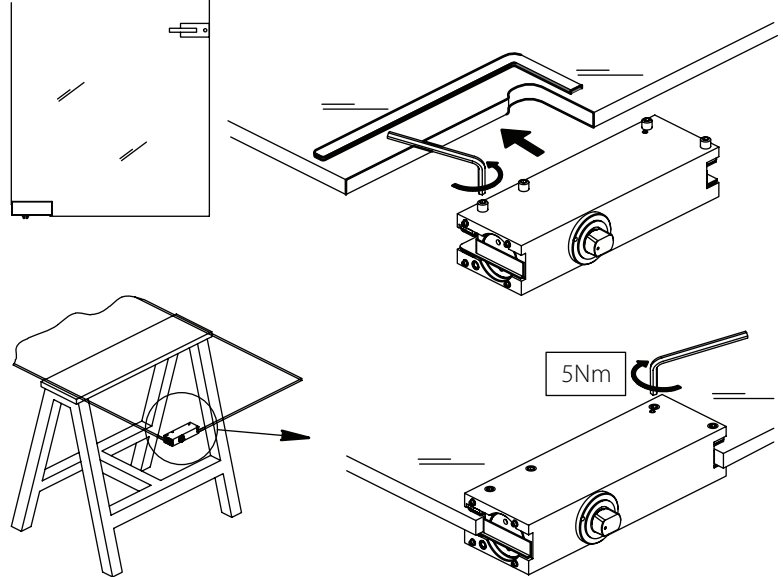




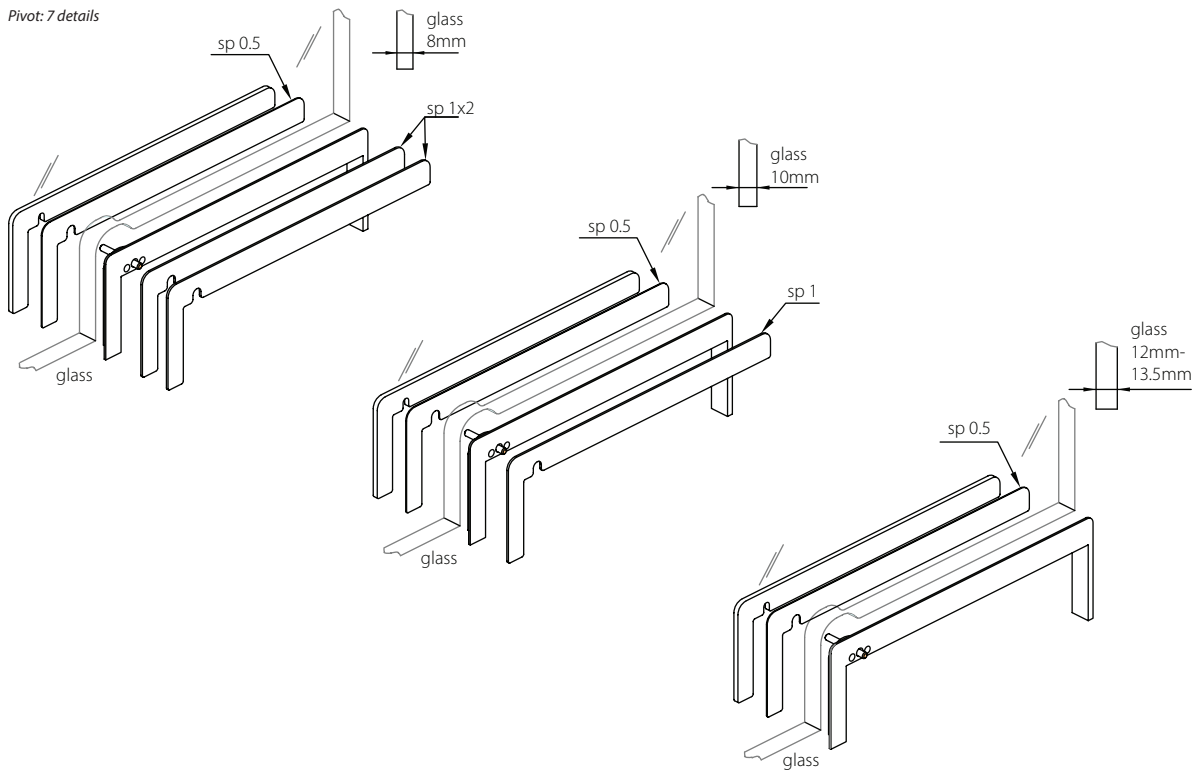
Pivot Installation Continued (pivot to door)

Place hinge in the notch provided in the door glass. Use the supplied shims to compensate for glass thickness, and tighten #4 set screws.

Pivot: 7



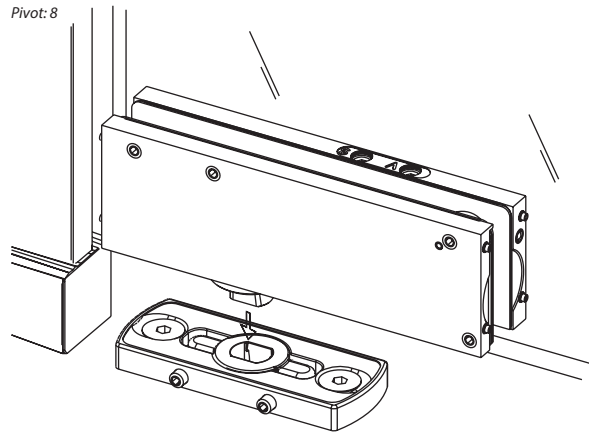
Pivot: 7 details



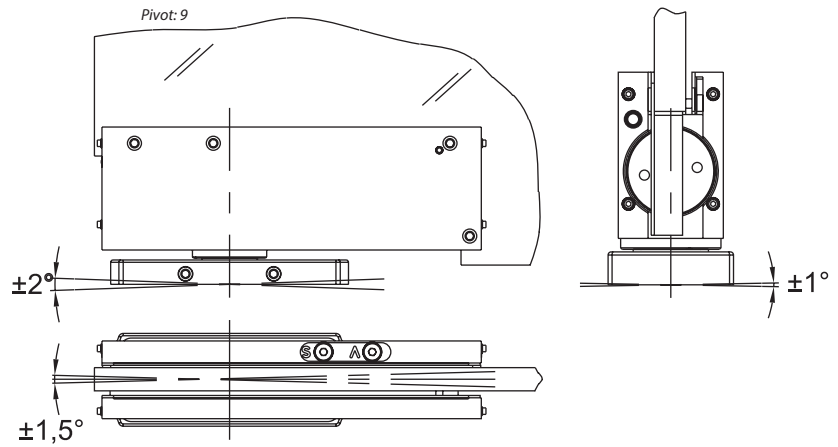


Pivot Installation (pivot adjustment)

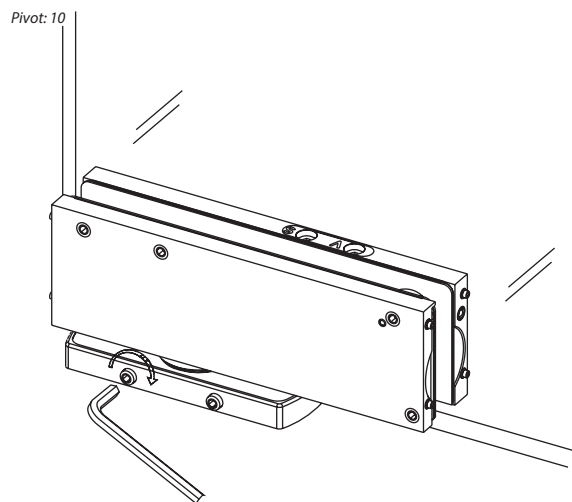
Insert pivot into base plate.



Plumb door using the #4 set screws on the base plate.

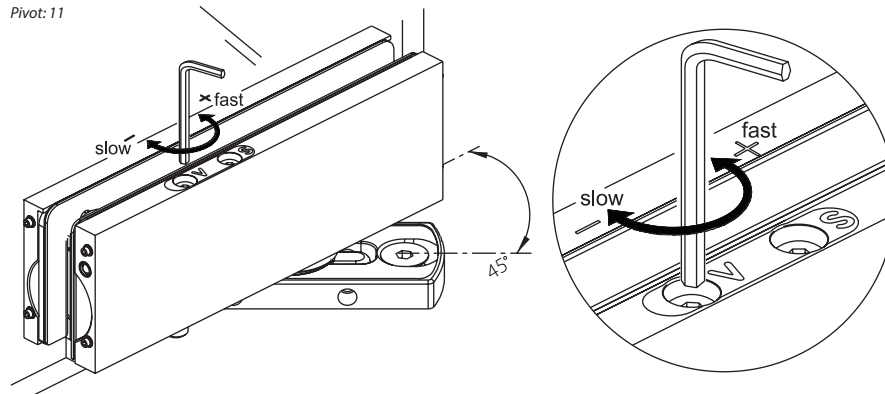


Once plumb, tighten screws.





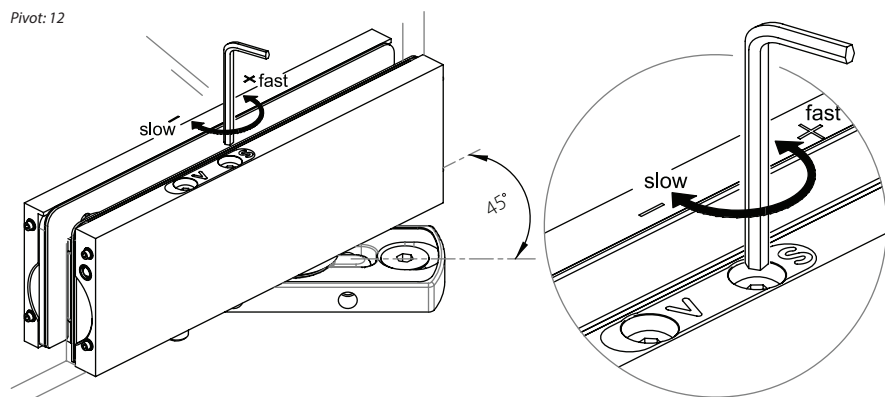
Pivot Installation (closing and latch speed adjustment)



With door open to 45 position, adjust closing speed with Allen key using the (V) adjustment screw.

To DECREASE speed, rotate CLOCKWISE.

To INCREASE speed rotate COUNTERCLOCKWISE



With door open to 45 position, adjust the final latching speed with Allen key using the (S) adjustment screw.

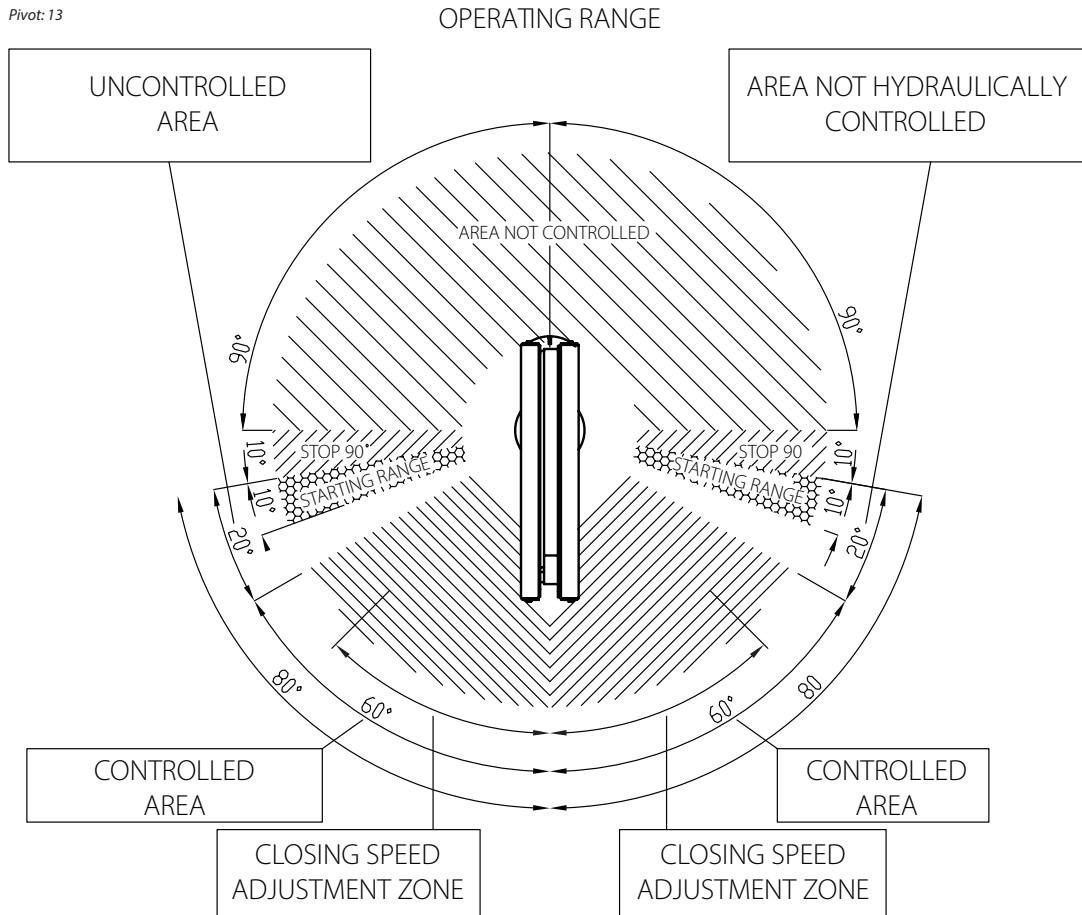
To DECREASE speed rotate CLOCKWISE.

To INCREASE speed rotate COUNTERCLOCKWISE.



Pivot Operation

Pivot: 13





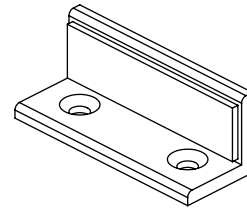
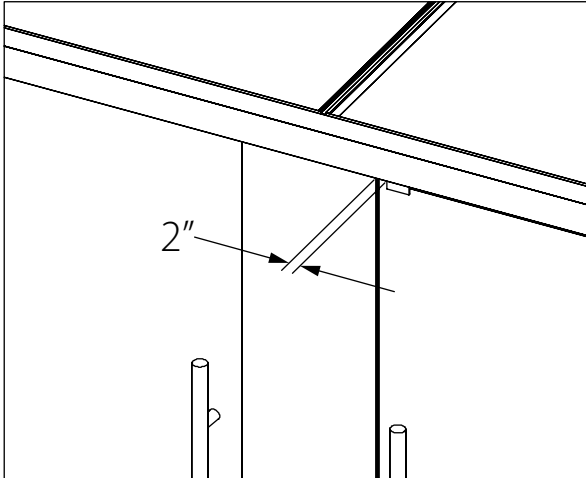
Holoform[®]
Reliability through innovation.

5005 LBJ Freeway
Suite 1050
Dallas, Texas 75244

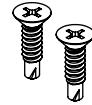
P 833-473-3986
W Holoform.com

Door Stop

Door Stop: 14

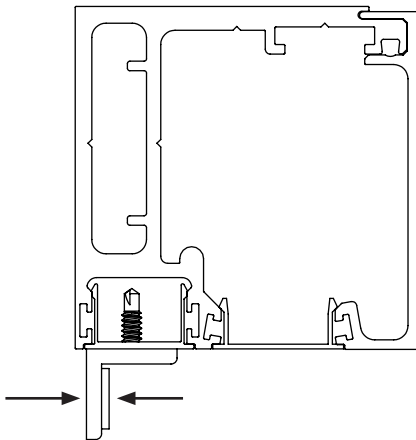


Part # 33439 CLR
33440 BLK



Locate door stop 2" in from the edge of the door.

Door Stop:2



To ensure that the door glass is in plane with wall glass, use the door to align the final position of door stop relative to the face of the track. Once located, mark and predrill #2 1/8" holes, before affixing screws and stop into final position.