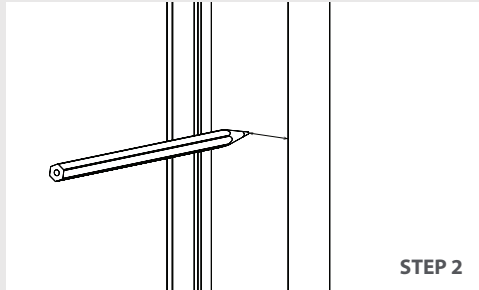
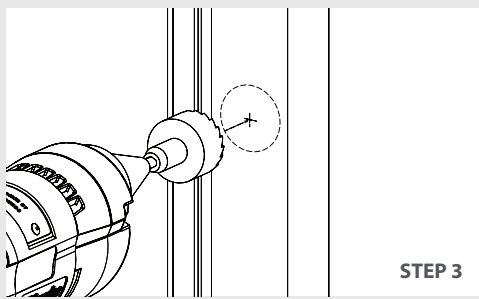
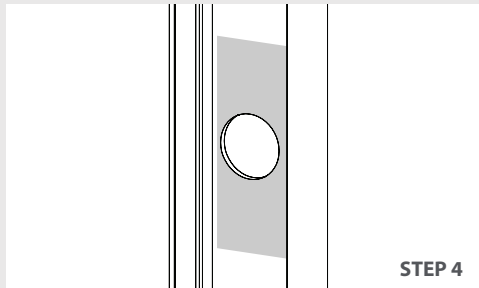
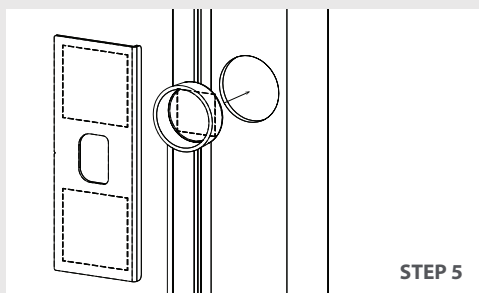
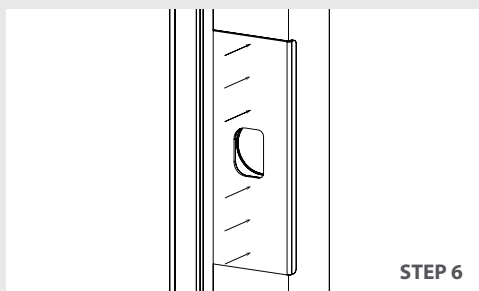


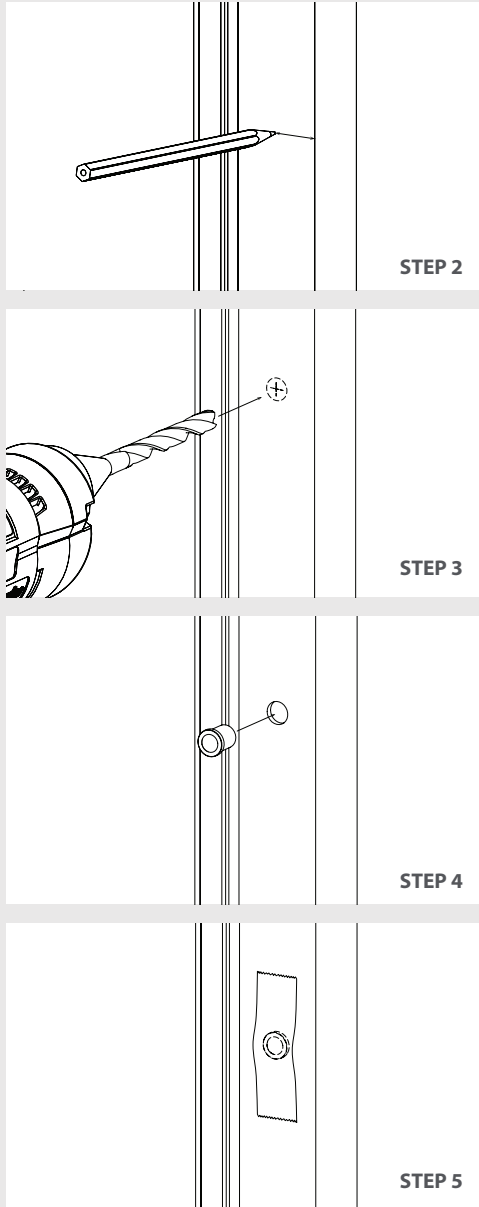
Realm™ System: Field-Applied Strike Installation


STEP 2

STEP 3

STEP 4

STEP 5

STEP 6

Stick-on Strike Plate Installation Steps

1. After the door is installed and working properly, determine the center point of the strike by closing the door and making a mark where the latch bolt hits the door frame.
2. At the height determined in Step 1, measure in and mark 7/8" from the rear of the door frame.
3. Use a 1-3/8" hole saw to drill through the first face of the aluminum extrusion. Remove burr from the edge of the hole, if necessary.
4. Clean the area around the hole thoroughly with a 50/50 ISP water mix and allow to dry.
5. Remove liner from 2-sided tape on the rear of the cup and place in the hole. Remove liners from 2-sided tape on the rear of the strike plate and place over the hole as shown.
6. Apply pressure to the face of the plate to ensure the plate has been fully adhered to the door frame.

Realm System: Button Plunger Installation



Button Plunger Installation Steps

1. After the door is installed and working properly, determine the position of the button plunger vertically.
2. At the height determined in Step 1, measure in and mark 1-1/16" from the rear of the door frame.
3. Use a 12mm drill bit to drill through the first face of the aluminum extrusion. Remove burr from the edge of the hole, if necessary.
4. Apply liquid adhesive to the rear face of the button plunger and press into the hole taking care to ensure that it sits flat on the door frame.
5. Cover plunger with masking tape and allow for adhesive to dry before using door.